



UCx

Technical Presentation

General Description

- 19" rack or table mountable 1U
 - Main processing unit: ARM 9 (32-bit RISC processor)

- Linux operating system (Debian)
 - Immunity
 - Stability

- Security
 - Multi-level authorization
 - Password and User Name

- WEB-based management
 - Database: SQLite



System Capacity

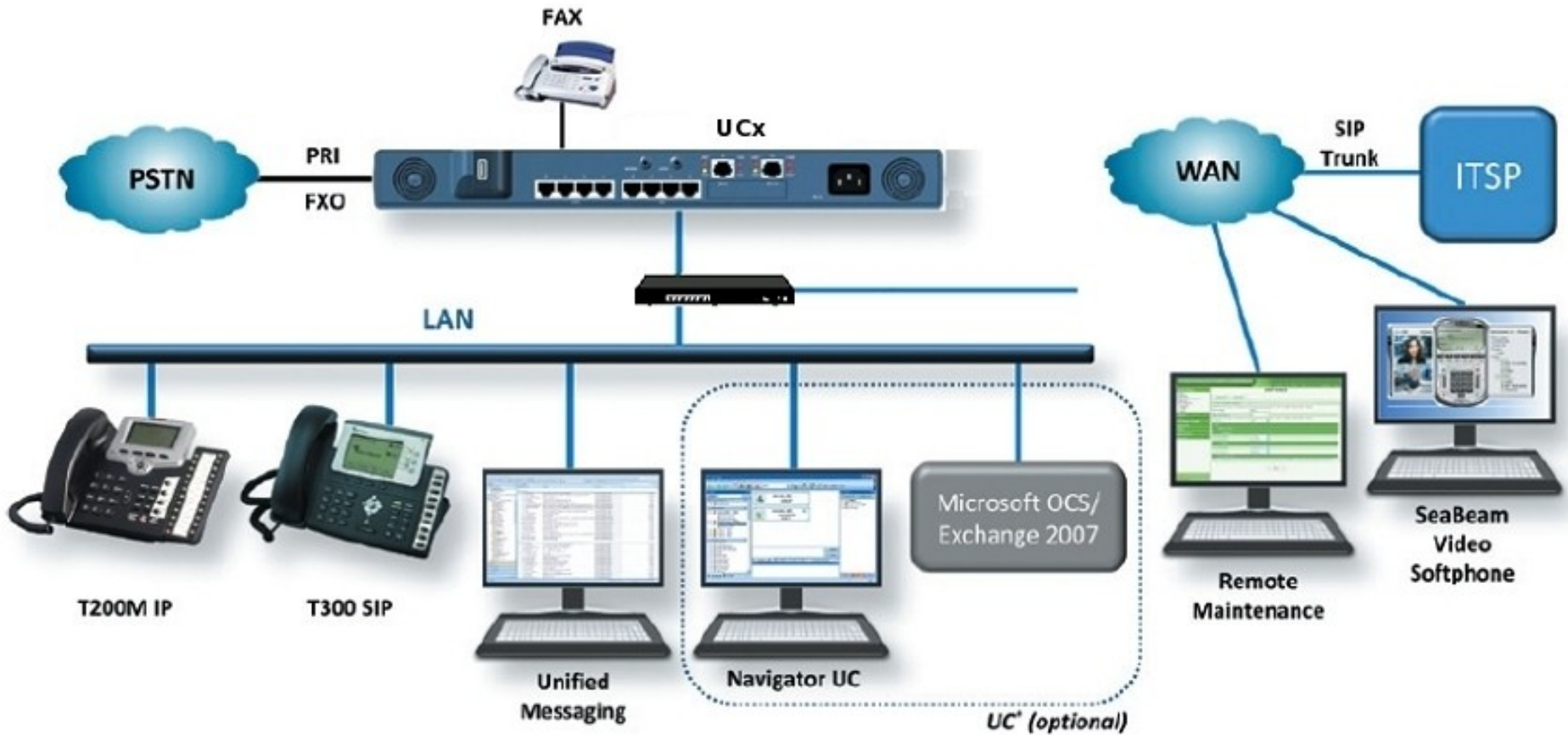
■ Trunks & Terminals

- 60/120 IP phones (SIP or MGCP)
- FXS - Analog telephone ports: 4
- FXO - Analog LS trunk ports: 4
- Power failure FXO-to-FXS cross-connection
- Digital trunk (PRI): 30/23 Channels
- Pure IP trunks: 60 Channels
 - 30 SIP trunk
 - 30 IPNET

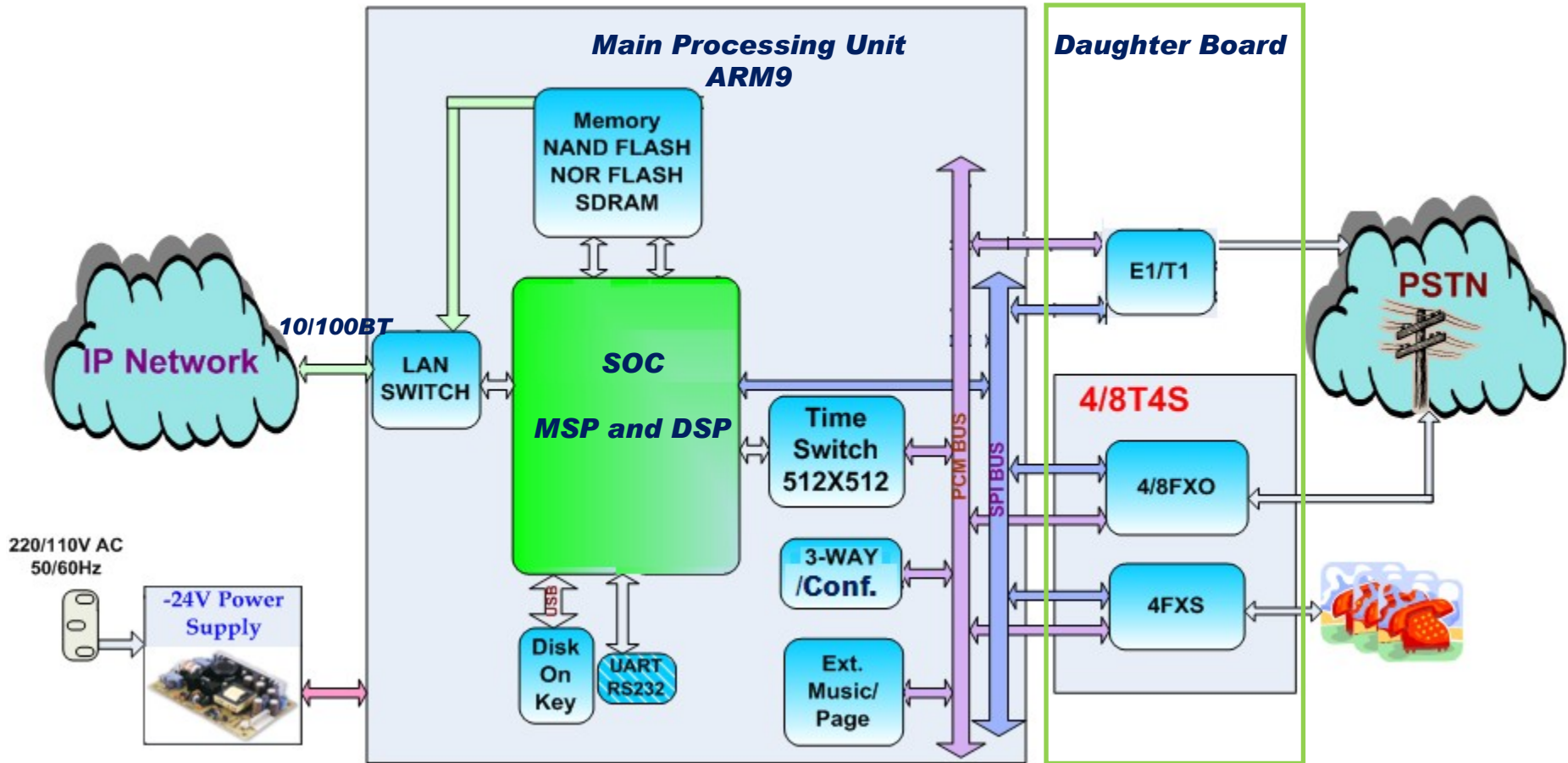
■ SeaMail for UM

- Media storage: 4GB USB stick
- 4 concurrent calls (upgradable to 8 access links)
- 200H recording capacity

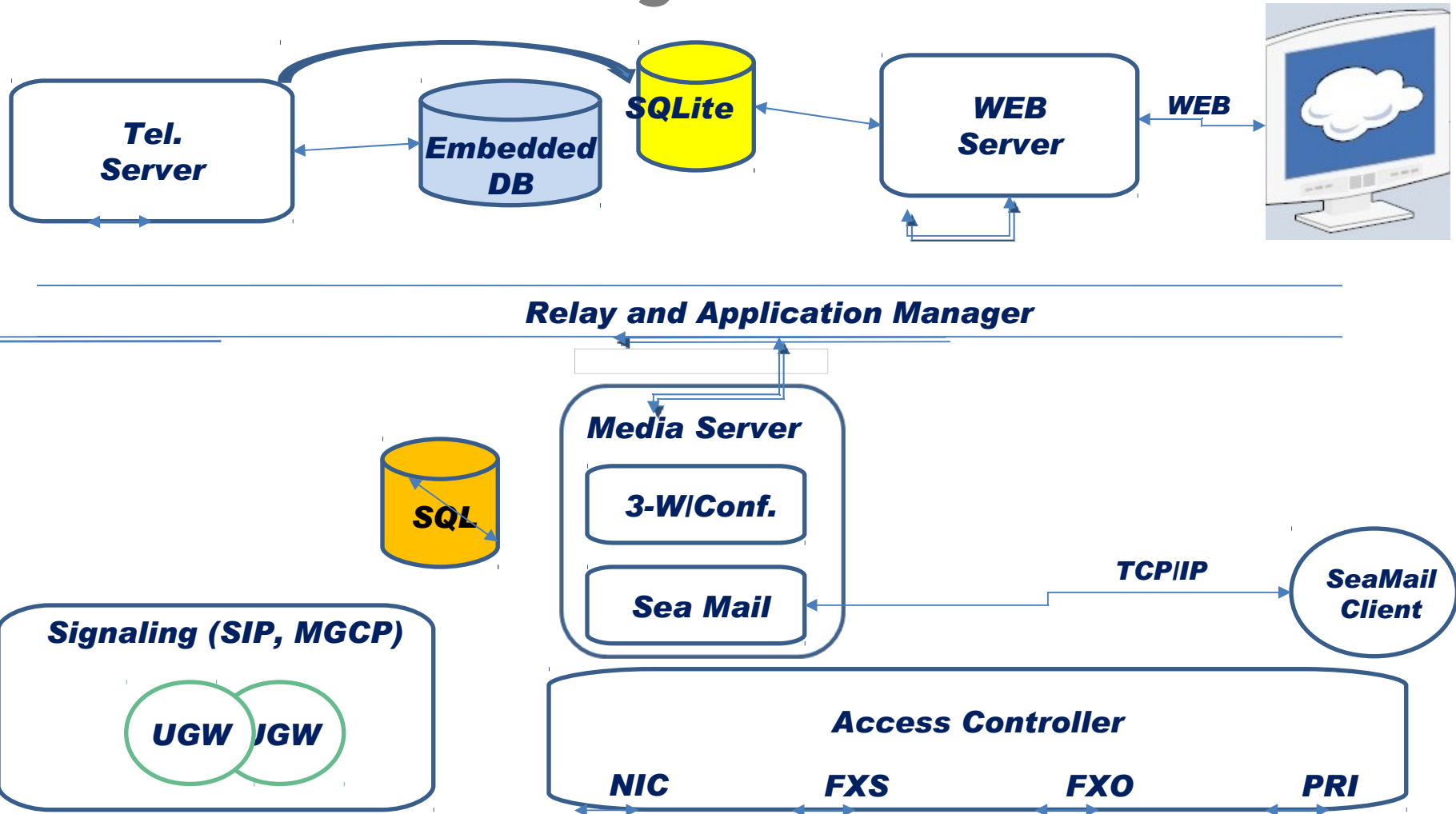
Typical Topology



Hardware Block Diagram



Software Block Diagram



Media Processing

- Echo Canceller (complies with G.168)
- Silence suppression & Comfort Noise Generator (CNG)
- Payload type (for RFC 2833)
- Tone detector, Tone generator, DTMF detector
- Codecs: G.711, G.723.1, G.729
- External Music Source
- External Page for Public Address
- Fax over IP - Bypass mode (G.711)
- Caller ID detection and generation
- Future - Silent monitor, T.38

Features and Applications

- Comprehensive telephony features
- Conferencing
 - 16 x 3-way
 - Multi-party (up to 8 participants)
- Embedded gateway (1 PRI, 4 FXS, 4 FXO)
- Remote software upgrade
- Voicemail & Unified Messaging

* Console Attendant through iAPA - future phase

Terminal Support

- FlexSet-IP
- T200 series (SIP & MGCP)
- T300 series (SIP)
- SeaBeam softphone (SIP)
- FlexIP softphone
- 3rd Party SIP phones & gateways

Secured Remote Management

- Secured remote management through Web Admin (HTTPS)
- Multi-level administration access
- Authentication - user name and password

The screenshot displays the 'GREEN PEARL' web administration interface. The top navigation bar includes the title 'GREEN PEARL by Tadiran Telecom', user information 'User: gppadmin Site: site_name Version: 01.02.10 My Account Logout', and a sidebar menu with categories like System Settings, End Points, Groups, Call Control / Routing, Applications, Utilities, Administration, and Advanced. The main content area is titled 'End Points List' and features search filters for 'Dial number', 'Virtual Port (Index)', and 'Port (S/S/S)', along with 'From' and 'To' input fields and a 'Search' button. Below the filters is a table with columns for 'Dial Number', 'Full Name', and 'NPL Type'. The table contains 8 rows of data.

Dial Number	Full Name	NPL Type
2013	Merav Dunetz GRP	IP_KEYSET
2363	Nat Berkov GRP	IP_KEYSET
2445	Gabi Ayalon GRP	IP_KEYSET
2601	Zeev Hedar	SIP_TERMINA
2604	MIXAVIT	IP_KEYSET
2639	Yarona Tam 2639	IP_KEYSET
2664	Doron pinco 1u	IP_KEYSET
2783	Joseph Morban-1	IP_KEYSET



System Settings

Endpoints

Endpoint List

Groups

Call Control / Routing

Applications

Utilities

Administration

Advanced

Endpoints

 Dial number
 Virtual Port (Index)
 Port (s/s/s)
From To

Type

SIP Terminal

Search

All

Add/Remove Columns

Previous search results (partial list)

	Dial Number	Full Name	Status	Type	Class of	IP Address
	<u>Y</u>	<u>Y</u>	<u>Y</u>			
1	<u>0</u>	Demo Room G...	Idle			
2	<u>3500</u>		Undefined			
3	<u>3501</u>		Undefined			
4	<u>3502</u>		Undefined	SIP_TERMINAL	<u>0</u>	
5	<u>3503</u>		Undefined	SIP_TERMINAL	<u>0</u>	
6	<u>3504</u>		Undefined	SIP_TERMINAL	<u>0</u>	
7	<u>3505</u>		Undefined	SIP_TERMINAL	<u>0</u>	
8	<u>3506</u>		Undefined	SIP_TERMINAL	<u>0</u>	
9	<u>3507</u>		Undefined	SIP_TERMINAL	<u>0</u>	
10	<u>3508</u>		Undefined	SIP_TERMINAL	<u>0</u>	

10 items

Setup

Quick Start

System Settings

Endpoints

Endpoint List

Groups

Call Control / Routing

Applications

Utilities

Administration

Advanced

SIP Terminal

Entry [Private Libraries](#)[Button Programming](#)[Features Control](#)**- Port Properties**Short Name Full Name

Status

Undefined

Type

*SIP_TERMINAL***- Keypad Features****- General**

Class of Service

Secondary Class of Service

Number of Private Libraries

Terminate

Originate

Block

O/G Trunk rest

Privacy

Setup

Quick Start

**System Settings**

Install...
 Status
System
 Network
 Sizes Definition
 Sizes Table
 Music
 Timers...
 Interfaces...
 Class of Service (COS)
 Features...
 VOIP Settings...

Endpoints**Groups****Call Control / Routing****Applications****Utilities****Administration****Advanced****Setup****Quick Start****System**

Collapse All

Expand All

Site Name	GRP MINHAL
Display Site Name as	GRP Minhala
Country	USA
Tone Type	Argentina Australia Belgium Brazil CBN China Ctech Germany Greece Holland Hungary India Italy Israel Mexico New_zealand Poland ROW Russia Spain USA Venezuela
Mu-Law or A-Law	
- Date and Time Properties	
Current Date & Time	
Settings	
- Automatic	
NTP Server IP Address	
NTP Client Status	
Location	
Select Your Location	

Save

System Settings

Install...
 Interfaces...
 Class of Service (COS)
 Features...
 VOIP Settings...

General

IP Net
 Zone

Endpoints**Groups****Call Control / Routing****Applications****Utilities****Administration****Advanced****Setup****Quick Start****VOIP General****Collapse All****Expand All**IP Keypad Automatic Registration *Manually re-initialize the UGW card/s and IP Keypads in order to enable this parameter change*RTP Port Base Keep Alive Interval *Manually re-initialize the UGW card/s and IP Keypads in order to enable this parameter change*CA SIG Port

- QoS

- DiffServ Value

- Signaling

Forwarding Class Drop Precedence

- Media

Forwarding Class Drop Precedence

- 802.1 Q/p Value

*Note: T2xx phones ignore the values set here and derive TOS values from the DIFFSERV Values as follows:Diffserv=0->TOS=0,1***Save**